

# Drinking Fountain: WATER BOW

Design: IONDESIGN GmbH, Berlin

Producer: H. & Ph. Behr Giesserei GmbH & Co. KG, Berlin

## 1. Description

- Drinking water fountain in public spaces for people and animals
- Low-barrier use for adults and children
- Freestanding, accessible from all sides, wheelchair users can approach from all sides, tap accessible from different positions
- Installation in urban environments, parks and green spaces
- Push-button fitting with protected spout
- Water only flows as long as the tap push-button is pressed
- Water flows in a free arc for drinking, rinsing hands and filling drinking bottles
- Animal drinking trough in separate water bowl at the base of the fountain
- robust construction, surface minimised to minimise soiling or vandalism
- Fountain sculpture full of character with high recognition value, curved body appears as if moulded by water
- Award: International Design Award FOCUS OPEN 2023 Special Mention
- Internal continuous flushing prevents contamination of standing water
- Shut-off valves, measuring capsule and sampling for inspection accessible behind lockable inspection flap on the back.



## 2. Location

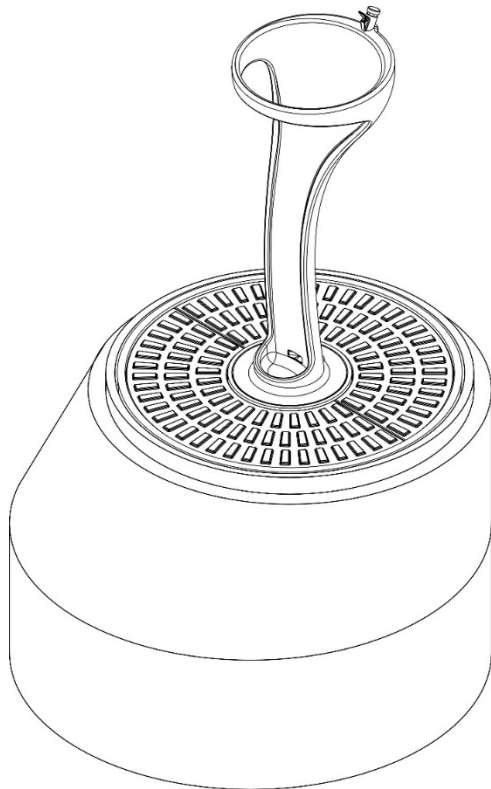
When selecting the location, ensure that it is suitable (Subsoil bearing capacity, slope, clearances). The local water supplier must be contacted for planning and connection. The drinking fountain can be set up and dismantled without large equipment.

### 3. Structure variants

Two variants according to requirements and local conditions.

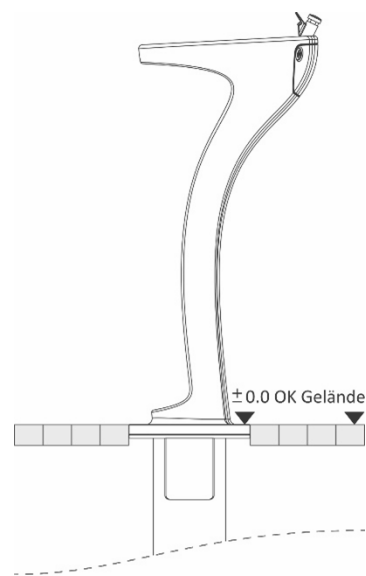
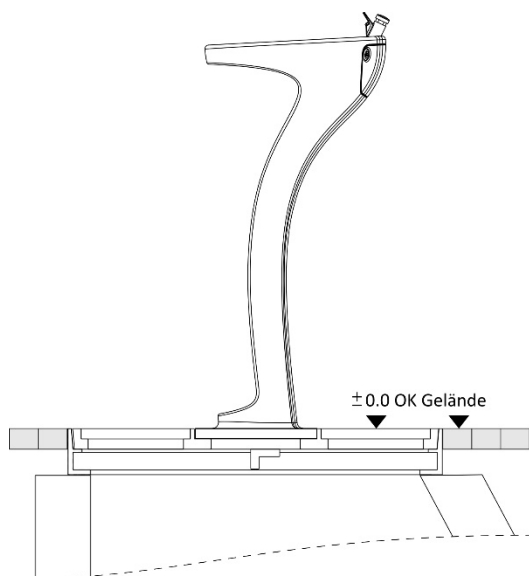
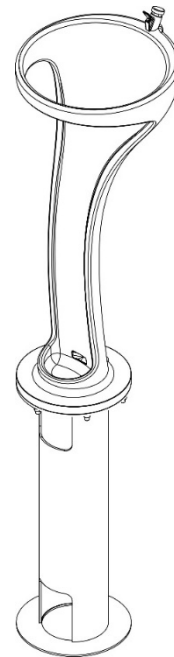
#### Standard well shaft variant

Well with 2 base plates in the frame inserted into a well shaft with shaft cover (ACO M-Topp Plus, class D400 LW.800 art. no. 210609) provided by the customer



#### Prefabricated steel foundation variant

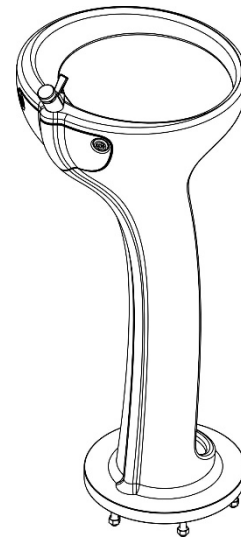
Fountain mounted on the prefabricated steel foundation supplied, floor covering flush-mounted.



## 4. Scope of delivery

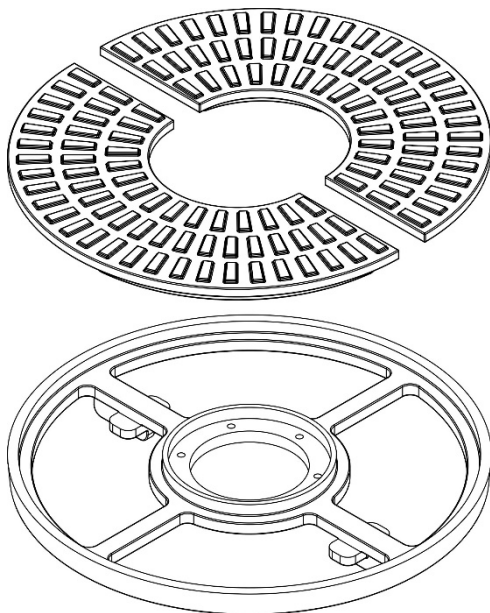
### Fountain body

- Hollow fountain body with faucet
- Inspection flap with 2 locks (double-bit key)
- Internal pipework
- bolts for bolting to manhole cover or prefabricated foundation
- Screw nuts



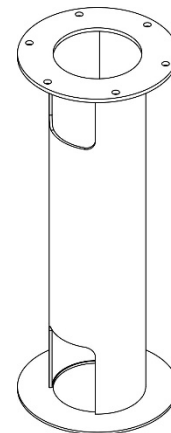
### Standard well shaft variant

Floor panels in frame



### Prefabricated steel foundation variant

Prefabricated steel foundation for backfilling in an earth shaft.



## 5. Installation

### Preparation

- Contact the local water supplier for planning and connection
- Observe the distance from the main connection to the drinking fountain
- For the best possible water quality, connection to ring main with flow divider (e.g. Kemper) recommended
- to be checked according to local conditions: Water meter, drain valve, shut-off valve in the well shaft, in a separate shaft or in a nearby building
- Lay the supply and wastewater pipe, drainage if necessary, in consultation with the local water supplier

### Installation with material to be provided by the customer

#### Standard well shaft variant

- Excavation of the earth shaft
- Installing the well shaft (precast concrete parts)
- Attach the frame of the standard shaft cover to the well shaft (ACO M-Topp Plus, class D400 LW.800 art. no. 210609)
- Install water inlet and outlet pipes with shut-off valves in the shaft
- Remove the standard manhole cover provided by the customer (if necessary, keep it for the winter break)
- To avoid tripping hazards, connect the surrounding surface to the edge of the manhole without thresholds (paving, floor slabs, water-bound path surface)

#### Prefabricated steel foundation variant

- Excavation of the earth shaft
- Install water inlet and outlet pipes
- Install valves and water meter in a separate shaft or in directly neighbouring buildings
- Provide an external device for shutting off the water and ensuring that there is no water in winter
- After installing the well, backfill the shaft, prepare the surrounding surface at the base of the well (paving, floor slabs, water-bound path surface)

### Installation with delivered material

#### Standard well shaft variant

- Insert the new frame into the standard well frame, fasten using brackets with M12 bolts/nuts



- Attach the body, fix with M12 nuts
- Connect the supply and wastewater pipes
- Disinfect / clean
- Insert and screw on the supplied covers

#### Prefabricated steel foundation variant

- Lay the prefabricated steel foundation
- Place well body on top, fix with M12 nuts
- Connect the supply and wastewater pipes
- Disinfect / clean

## 6. Implementation

To set the continuous flush, open the inspection cover at the rear of the fountain using the double-bit spanner supplied.



Adjust the flow rate on the left-hand valve using an open-end spanner (5 mm).



Check the flow rate by looking into the drain opening in the base of the well..



Use the screw on the front of the fitting to adjust the water jet so that it hits the centre of the inner surface of the fountain in an arc without splashing.

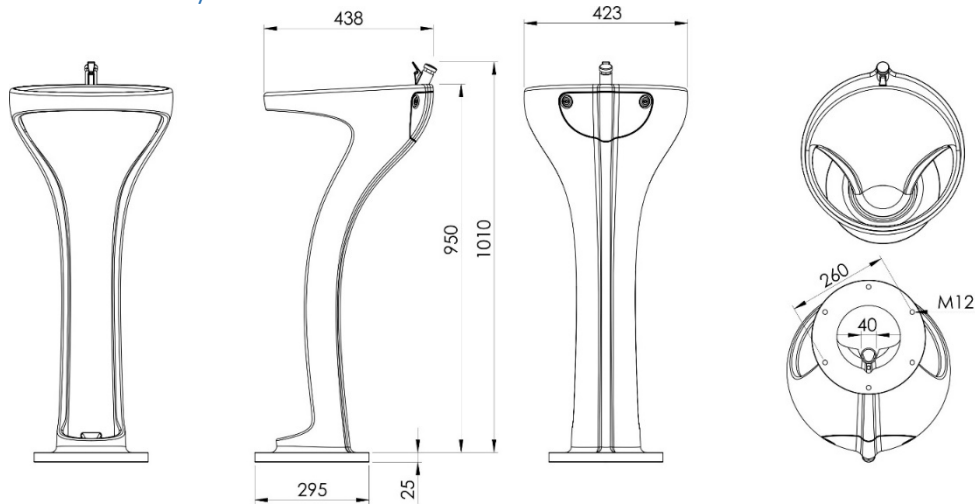
Note: The ideal aiming point of the water jet is approx. 30 cm below the top edge of the fountain.



Clean drinking fountains at regular intervals, check drains and remove any blockages;  
Regularly check the quality of the drinking water; drinking fountains provide the public with drinking water. They are therefore subject to the Drinking Water Ordinance (TrinkwV, Germany) and thus to monitoring by the responsible health authority (see DVGW W 274 (M) January 2022, for Germany).

## 7. Dimensions and Material

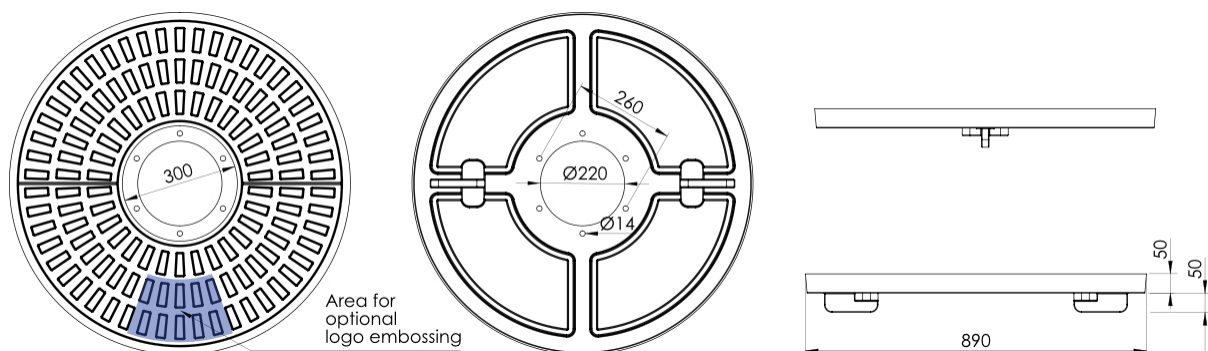
### Fountain body



Fountain body: top ring  $\varnothing$  423mm, base  $\varnothing$  295mm  
 Height of fountain body: 950mm, height of fitting: 60mm, total height: 1010mm above top edge of pavement  
 Opening size of inspection flap: approx. 240mm x140mm  
 Weight: approx. 17kg  
 Material / surface:

- Fountain body made of cast aluminium G-ALSi9Mg
- All visible surfaces of the fountain body powder-coated (powder coating: Interpon D 2525 Futura Collection Sumela, colour Y2208I sand silver, C5 = heavy corrosion protection)
- Other colours / surfaces on request;
- Surface easy to clean, not rough, resistant

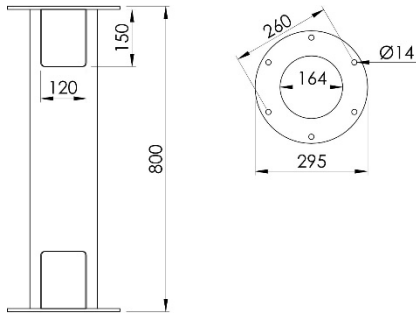
### Base panels in the frame



2 half floor plates: weight approx. 15kg each  
 in the frame:  $\varnothing$  890mm x height 100mm, weight: approx. 20kg  
 Material / surface:

- Base plates in frame in cast aluminium, powder-coated (powder coating: colour DB 703)
- Customisation optional at extra cost: insertion of an individual logo relief
- Suitable for installation in manhole cover (ACO M-Topp Plus, class D400 LW.800 item no. 210609)

## Steelfoundation



Height: Ø 295mm x height 800mm

Weight: approx. 20kg

Material / surface:

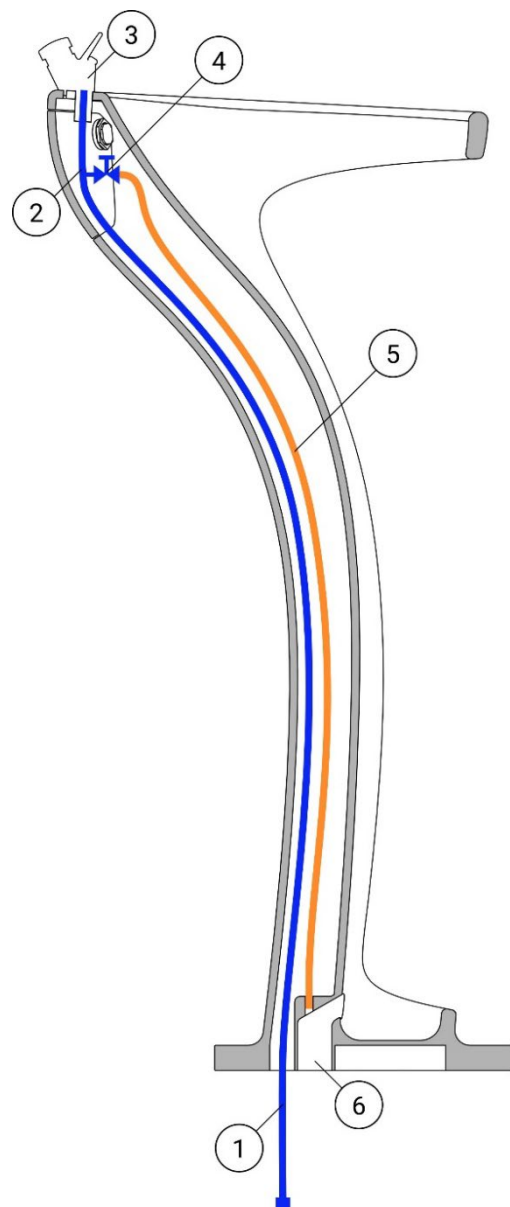
- Welded steel, galvanised

## 8. Components in the order of water flow

1. armoured hose
  - Flexible
  - ½" thread
  - length 1500mm
  - of which 500mm under Floor
2. red brass fittings
3. drinking fountain fitting with self-closing mechanism
4. angled valve
  - setting continuous flush
5. drainpipe
  - Ø 8mm copper pipe for dripping water
6. drain
  - Outside diameter 40mm

All water-bearing parts (with the exception of the tap) have drinking water approval in accordance with DVGW. The fitting has French ACS certification and is WRAS United Kingdom certified.

A combined free-flow valve with backflow preventer and test device should be installed upstream of the well.  
test device should be installed. Drainage should be via siphon and non-return valve.  
Details of this should be discussed with the local water network operator.



## 9. Producer

H. & Ph. Behr Gießerei GmbH & Co KG  
Grenzgrabenstraße 9, 13053 Berlin  
Telefon +49 (0)30 983 18 00 · [www.behr-giesserei.de](http://www.behr-giesserei.de)

## 10. Design

IONDESIGN GmbH, Wangenheimstraße 38A, 14193 Berlin  
Telefon +49 (0)30 720 215 000 · [www.iondesign.de](http://www.iondesign.de)

## 11. NOTES

Registered European design: EUIPO 009192099-001

Please observe the specifications for the installation of drinking water wells: “Technical Note - Code of Practice DVGW W 274 (M) January 2022, Planning, construction and operation as well as self-monitoring of public drinking water wells” and the regulations of the local water operators.